

HD8869/06-09
HD8869/11-47
HD8886/19



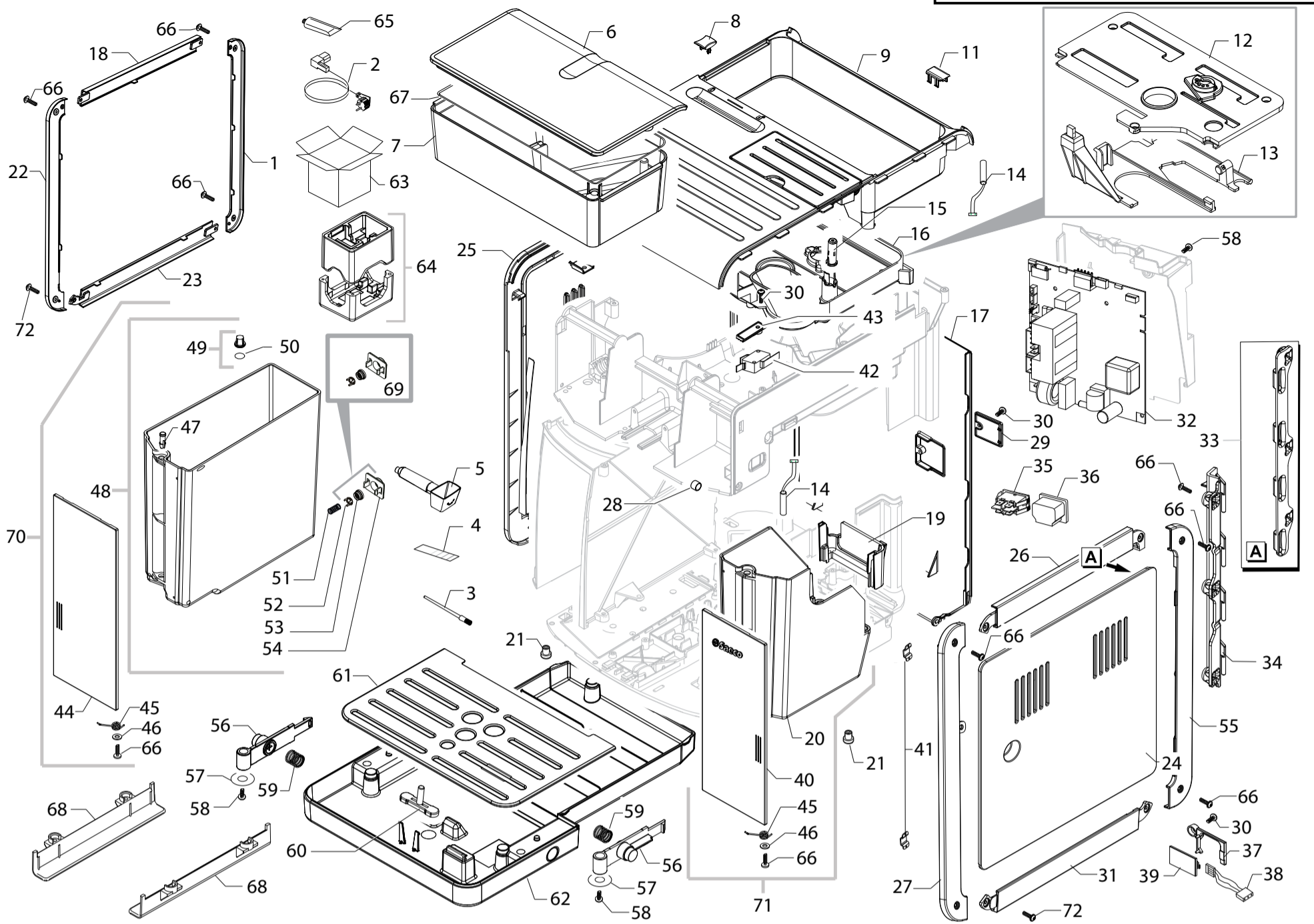
Cod. 882886906660-882886909300
Cod. 882886911010-882886947540
Cod. 88288619870

POS	CODE	12NC	DESCRIPTION	NOTE	POS	CODE	12NC	DESCRIPTION	NOTE
01	-	421944033351	CHR.ZAMA REAR LEFT FRAME HGO		36	12001883	996530072437	CUP SOCKET V3 EN 60320 C 13	
02	-	421946001591	BLK POWER CABLE SCHUKO L=800		37	17001179	996530068749	BLK CAPACIT.SENSOR LOCKING INSERT NPR	
	11004246	996530002166	BLK POWER CABLE TAIWAN HVCTF L=1200	HD8869/06	38	-	421946000081	3P.CONN.WATER LEVEL V2 CLP UL ASSY.	
	183921950	996530025843	POWER CABLE SJT3 USA BLACK UL L=1200	HD8869/47	39	-	421941306721	CPU+SW WATER LEVEL SENSOR V3 ASSY.	
03	127390100	996530025808	BRUSH FOR CLEANING		40	-	421944030472	G/ANM DUMP BOX FRON.COVER V2 HGO/T	
04	0301.961	996530039604	STICKER FOR WATER HARDNESS TEST		41	11013220	996530069857	STEEL PLATE FOR DOOR MAGNET XSM	
05	-	421944033301	BLK ABS COFFEE MEASURE SMART		42	12001890	996530073209	MICROSWITCH XG/V3D	
06	-	421944012272	TRANSP/GRY COF.CONTAINER LID V2 HGO ASSY		43	17000064	996530067437	BLK CAPACIT.SENSOR DEADLOCK INSERT XSM	
07	-	421940813151	KIT SPARES BLK REMOV.COF.CONT.HGO ASSY.		44	-	421944030792	G/ANM WAT.TANK FRON.COVER S/SCR.V2 HGO/T	
08	-	421944030461	G/ANM BEAN COF.CONT.RELEASE KNOB HGO		45	-	421944012991	SS OSCILLATING DOOR SPRING V3 HGO	
09	-	421944030921	G/ANM UPPER CASING COVER HGO/T ASSY		46	UN6592-4I	996530062212	SS.WASHER D.4 UNI6592 4,3X9	
11	17001380	996530069844	TRANSP.COVER INFRAREDS ACCESS NPR/T		47	-	421944010411	BLK WATER TANK FRON.COVPIN HGO/H-P	
12	-	421941287983	BLK COF.CONT.RELEASE FIX PLATE V3 HGO		48	-	421944056311	NAT/GRY WATER CONTAINER V3 HGO ASSY FROM S/N TW901605050148	
13	17001888	996530073574	BLK BEAN COF.CONT.RELEASE PLATE HGO		49	224640200	996530029115	WHITE WATER CONTAINER EXT.FILTER ASSY.	WITH PART.50
14	17800432	996530072785	AS.CONN.2P.SENS.REED SPORT.V2 G0053		50	140328461	996530013571	OR ORM 0190-10 EPDM	
15	-	421941155132	BLK REED SENSOR SUPPORT V2 P0049		51	11003672	996530001831	SS SPRING FOR WATER CONTAIN.VALVE P0049	
16	-	421941288373	BLK BEAN COF.CONT.SUPP.PLATE V3 HGO		52	-	421944040071	BLK WATER CONT.VALVE INSERT V2 P0049 FROM S/N TW901605050148	
17	-	421941288403	M/BLK REAR CASING V3 HGO		53	-	421944040781	BLK GASKET FOR WATER CONT.VALVE V2 P0049 FROM S/N TW901605050148	
18	-	421944033371	CHR.ZAMA UPPER LEFT FRAME HGO		54	-	421944040061	BLK LID FOR WATER CONT.VALVE V2 P0049 FROM S/N TW901605050148	
19	17001005	996530073483	BLACK DUMP BOX INSERT NPR		55	-	421944033311	CHR.ZAMA REAR SIDE DOOR FRAME HGO	
20	-	421941288674	BLK DUMP BOX V4 HGO/T		56	17002042	996530073603	BLACK DRIP TRAY LOCKING INSERT HGO/T	
21	-	421324705256	FOOT		57	U207.004	996530062034	PLAIN WASHER 4,3X16 UNI 6592 GAL	
22	-	421944033361	CHR.ZAMA FRONT LEFT FRAME HGO		58	12000450	996530007819	SCREW TCB TORX 10 3,5X12 PLAST.ZN-N	
23	-	421944033381	CHR.ZAMA LOWER LEFT FRAME HGO		59	11000759	996530000487	HOT WATER TUBE SPRING P124	
24	-	421944039782	O/ANM RIGHT SIDE DOOR V2 HGO		60	-	421944004711	RED/BLK FLOAT FOR DRIP TRAY HGO	
25	-	421944039772	O/ANM LEFT SIDE CASING V3+NUTS V2 HGO AS		61	-	421944030441	CHR/ZAMA GRATE FOR DRIP TRAY HGO/T	
26	-	421944033331	CHR.ZAMA UPPER SIDE DOOR FRAME HGO		62	-	421944039791	O/ANM DRIP TRAY HGO/T ASSY.	
27	-	421944033321	CHR.ZAMA FRONT SIDE DOOR FRAME HGO		63	-	421946029061	DISPL.BOX V3 EAC HGO SAE MOLTIO	
28	9161.111	996530050555	MAGNET FOR FLOAT SUPERAUT.			-	421946028331	DISPL.BOX V3 HGO SAE MOLTIO OTC TOP USA	HD8869/47
29	17001484	996530068728	MATT/BLK REAR CASING PROGRAM.INSERT NPR		64	-	421940812931	KIT PS-E INSERT FOR BOX HGO	
30	129913202	996530013156	SCREW TCB TORX 10 3X8 PLAST.ZN-B		65	-	421946017941	KLUBERLUB NH1 11-222 TUBE 5GR.	
31	-	421944033341	CHR.ZAMA LOWER SIDE DOOR FRAME HGO		66	12001728	996530070321	SCREW TCB TORX 10 3,5X12 PLAST.SS	
32	-	421941306741	CPU+SW HGO/PRM ASSY.	230V	67	-	421944052791	BLK ADDITION.BEAN CONT.COST.V5 HGO ASSY	
		421941302381	CPU+SW HGO/PRMT ASSY.	120V				UP TO S/N TW901525318496 ORDER ALSO POS.7	
33	-	421944048161	BLK HINGE FOR REAR CASING V2 HGO/T						
34	11012713	996530006494	BLACK HINGE FOR DOOR RIGHT SIDE XSM						
35	-	242212625107	SWI POW 2P 16A 250V FASTON IEC 1552 B						



MOLTIO OTC TOP

TABLE 1a/7



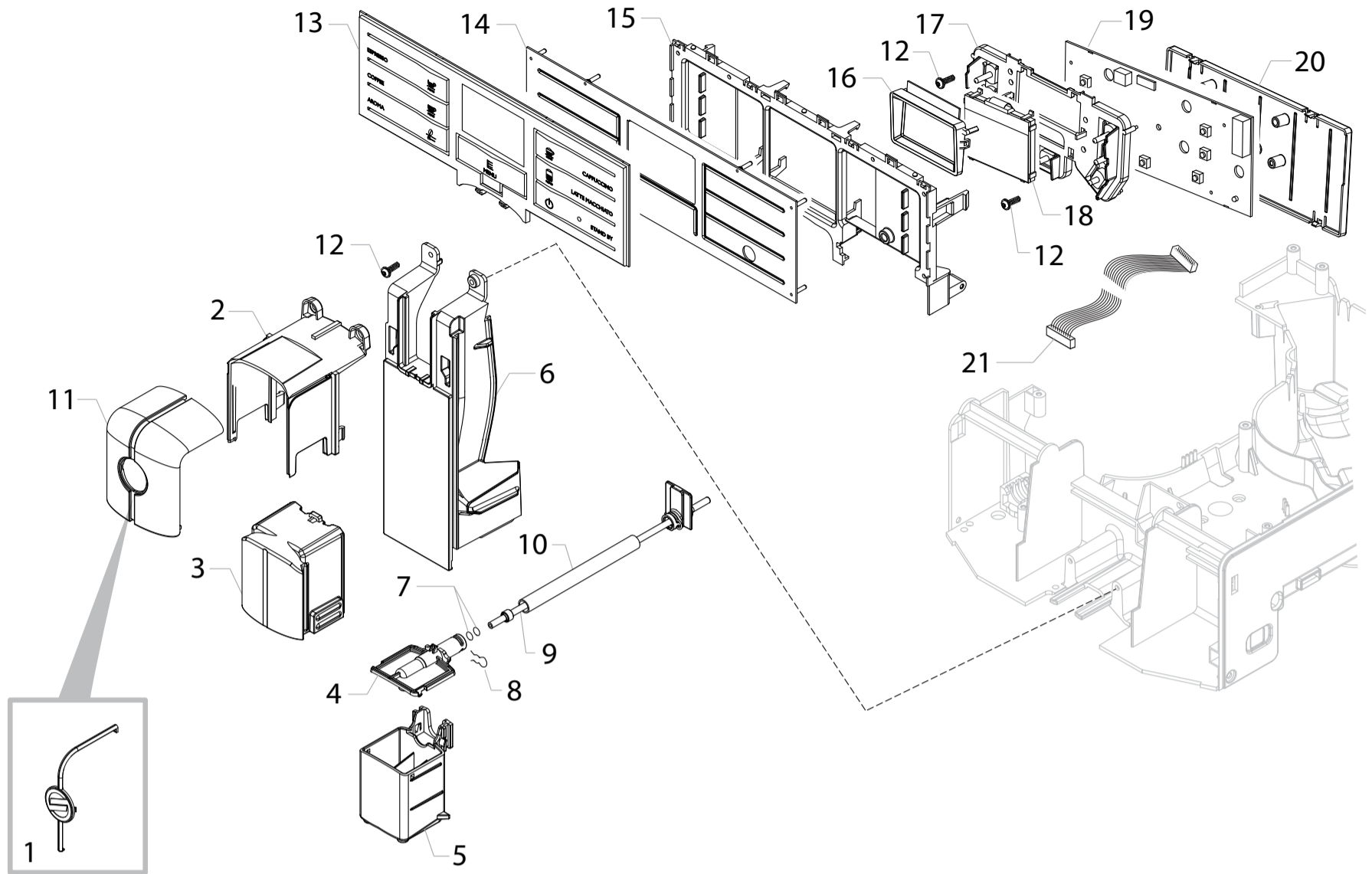
HD8869/06-09
HD8869/11-47
HD8886/19



Cod. 882886906660-882886909300
Cod. 882886911010-882886947540
Cod. 882888619870

POS	CODE	12NC	DESCRIPTION	NOTE	POS	CODE	12NC	DESCRIPTION	NOTE
68	17001110	996530068723	BLACK DRIP TRAY GUIDE NPR						
69		421941308821	KIT SP.COMPONENTS WATER CONTAINERS ASSY UP TO S/N TW901605050147						
70	-	421944030861	G/ANM WATER GEN.CON.S/S.HGO/T AS						
71	-	4421944030882	G/ANM DUMP BOX V2 HGO/T ASSY.						
72	-	252220098637	SCR CAP TORX LOW HEAD M4X6 B						



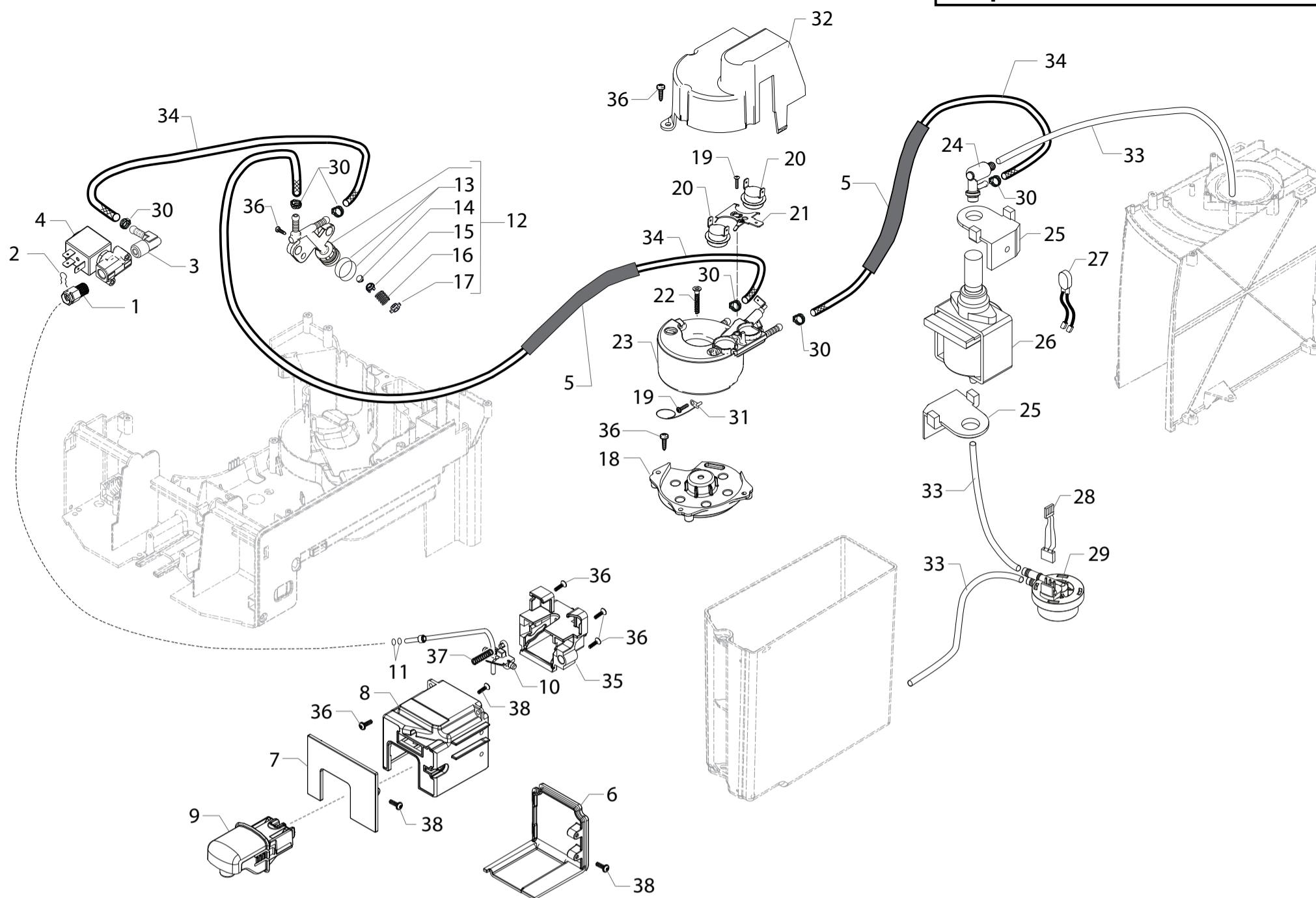


HD8869/06-09
HD8869/11-47
HD8886/19



Cod. 882886906660-882886909300
Cod. 882886911010-882886947540
Cod. 88288619870

POS	CODE	12NC	DESCRIPTION	NOTE	POS	CODE	12NC	DESCRIPTION	NOTE
01	-	421941300791	BLK COF.DISPEN.INS.W/LOGO SAE S/SCR.HGO						
02	17001445	996530073586	MATT/BLACK COFFEE DISPENSER LID HGO						
03	-	421941284912	M/BLK COF.DISPEN.S.MOBILE PART V2 HGO						
04	-	421941284902	BLK COF.DISPEN.BODY LID V2 HGO						
05	-	421941307011	KIT SPARES DISPENSER BODY W/BUMPER HGO						
06	-	421944030491	G/ANM FRON.CASING COVER HGO						
07	140328059	996530013564	OR 2015 SILICONE PTFE/FDA						
08	9011.144	996530048885	SS FORK FOR TUBE D=4						
09	11031203	996530073357	TEFL.TUBE 2X4 L=235+PLATE+2BUSH NPRASSY						
10	149361200	996530018278	BLACK SILICONE TUBE 7,5X9,3	IN ROLL					
11	-	421944028101	CHROM.COF.DISPENSER FRON.PLATE HGO						
12	12000450	996530007819	SCREW TCBR TORX 10 3,5X12 PLAST.ZN-N						
13	-	421944032281	TRA/BLK 7BUT.TOUCH PANEL S/SCR.V2 HGO/T						
14	17001878	996530073592	BLACK TOUCH PANEL SEAL HGO						
15	-	421941288723	BLK SUPP.FOR ASS.KYB BOARD SUPP.V3 HGO/T						
16	17001579	996530073604	MATT/BLACK DISPLAY FRAME HGO						
17	-	421944016841	BLK DISPLAY SUPPORT HGO ASSY.						
18	-	421941300941	DISPLAY LCD 128X64 SMR						
19	-	421941300551	KYB - INTERFACE HGO/H-T						
		421941308841	KYB HIGO 120V T/H/P						
			HD8869/06 HD8869/47						
20	17001577	996530073594	BLACK DISPLAY KEYBOARD SUPPORT HGO						
21		421946000151	16P.CPU-USER INTERF.FLATCABLE V2 NPR UL						



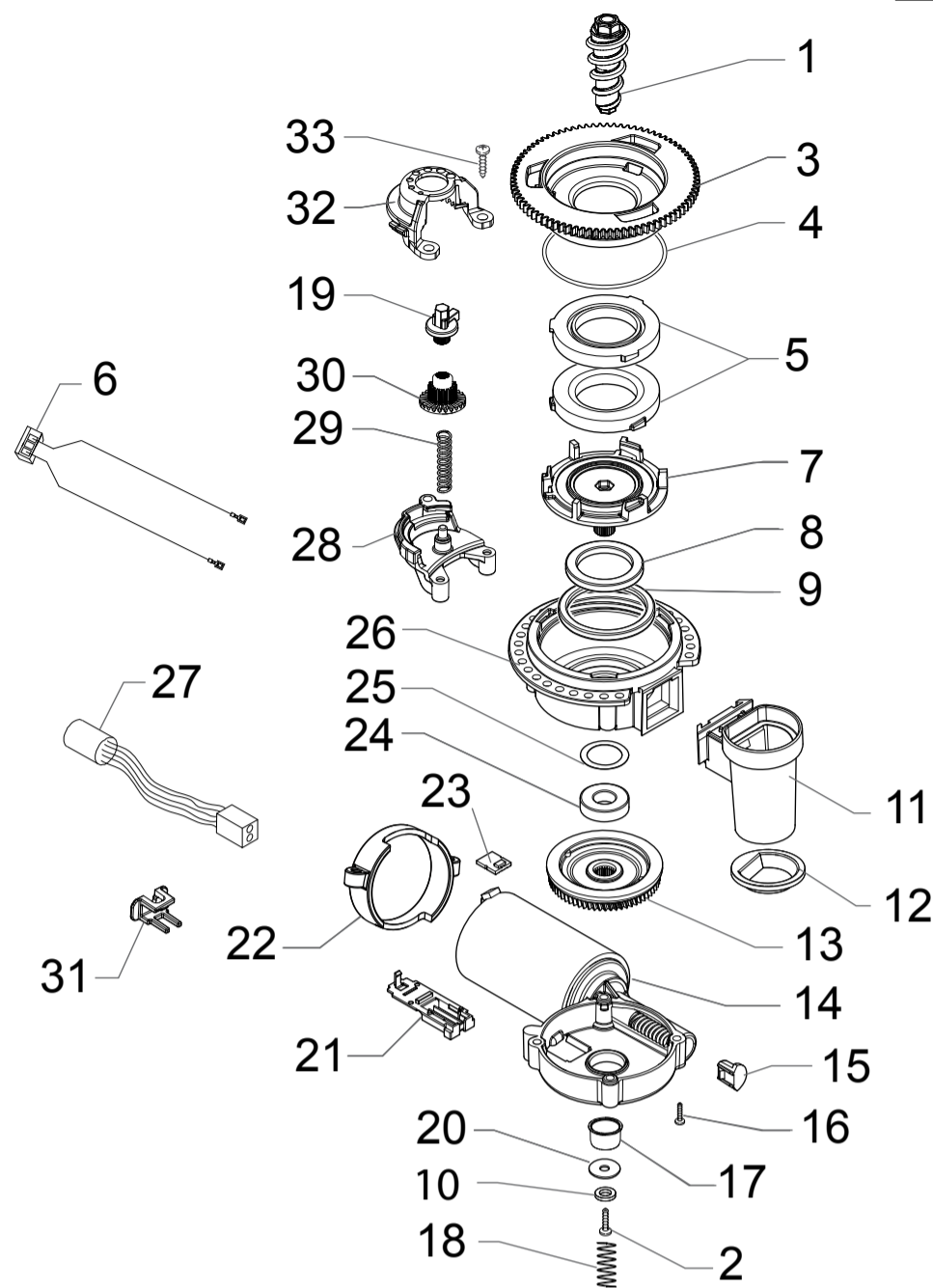
HD8869/06-09
HD8869/11-47
HD8886/19



Cod. 882886906660-882886909300
Cod. 882886911010-882886947540
Cod. 88288619870

POS	CODE	12NC	DESCRIPTION	NOTE	POS	CODE	12NC	DESCRIPTION	NOTE
01	11027572	996530072695	L-F/BRASS CONNECTOR 1/8" FOR TUBE D=4		34	16000380	996530009505	5X8,9 SILICONE TUBE	IN ROLL
02	9011.144	996530048885	SS FORK FOR TUBE D=4		35	17002025	996530073538	BLACK CARAFE GRAFT BODY INSERT HGO/T	
03	11024469	996530067632	L-F/BRASS CONNECTOR FOR BOILER AURA		36	12000450	996530007819	SCREW TCBR TORX 10 3,5X12 PLAST.ZN-N	
04	17001262	996530073681	LFBRESS 2W.EV 21JN1RRV20-X005+LBV05024CU		37	17000006	996530009559	TWO WAY TEFLON TUBES SUPPORT SPRING MYB9	
05	16000540	996530009523	TRANSPAR.11X12,8 SILICONE TUBE	IN ROLL	38	12001728	996530070321	SCREW TCBR TORX 10 3,5X12 PLAST.SS	
06	17002026	996530073545	BLK CARAFE INSERT BODY REAR COVER HGO/T			11026286	996530068717	HP/SLIM TUB.BOILER STD 1900W 230V ASSY.	COMPLETE
07	-	421944030512	G/ANM CARAF.INS.BODY FRON.COVER V2 HGO/T			421944046141	996530068717	GEN.TUB.BOILER XS4 1300W 120V ASSY.	COMPLETE
08	-	421941288472	BLK CARAFE INS.BODY V2 HGO/T					WITH PART.N°19 - 20 - 21 - 23 - 31	
09	-	421944033491	G/ANM HOT WATER DISPEN.HGO/T ASSY.					WITH PART.N°19 - 20 - 21 - 23 - 31	
10	11027510	996530069851	WHT PREFORM.TEFLON TUBE SUPP.NPR ASSY.					HD8869/06 HD8869/47	
11	140328059	996530013564	OR 2015 SILICONE PTFE/FDA						
12	17000114	996530068077	FLOW SELECTOR FAUCET NPR						
13	12000893	996530007948	OR ORM 0120-20 BLACK EPDM						
14	11008104	996530004722	MUSHROOM VALVE FOR FLOW SELECTOR P0057						
15	11008105	996530004723	FLOW SELECTOR VALVE SUPPORT P0057						
16	11008077	996530004709	STEEL FLOW SELECTOR VALVE SPRING P0057						
17	11008106	996530004724	FLOW SELECTOR VALVE CAP P0057						
18		421941215942	BLK SLIM/EXSL TUB.BOILER SUPPORT V2						
19	129823802	996530013077	TCB SCREW M4X8 UNI 7687 ZNP						
20	12001033	996530007973	THERMOSTAT ONE SHOT 190°						
21	11001751	996530000997	TUB.BOILER V3 UPPER THERM.FIXING SPRING						
22	12001280	996530008024	SCREW TSP TORX 10 5X20 PLAST.ZN-B						
23	17000346	996530068751	HP/SLIM TUB.BOILER ASSY.	230V - 1900W					
		421944046121	TUB.BOILER XS4 ASSY.	120V - 1300W					
			HD8869/06 HD8869/47						
24	11004689	996530002484	TEA/BRASS SAFETY VALVE 16-18 BAR ASSY.						
25	149205850	996530018056	BLACK TYPE ULKA PUMP W/BEVEL SUPPORT						
26	12000140	996530007753	ULKA PUMP EP5/S GW	230V-50HZ					
	12000142	996530007754	ULKA PUMP EAP5/S	120V-60HZ					
			HD8869/06 HD8869/47						
27	-	421946000131	2P.CONN.PUMP V2 CLP UL ASSY.						
28	-	421946000141	3P.CONN.FLOWMETER V2 CLP UL ASSY.						
29	NV99.099	996530059843	TURBINE D=1,2 932-8521/00 ASSY.						
30	12000892	996530007947	OETIKER CLAMP D=9,5 16700004						
31	190800100	996530026997	TEMPERATURE SENSOR NTC UL L=280MM						
32	-	421941284802	GRY BOILER INSULATING COVER NPR						
33	JS01.022	996530057357	SILICONE TUBE 5X10 60SH	IN ROLL					





HD8869/06-09
HD8869/11-47
HD8886/19



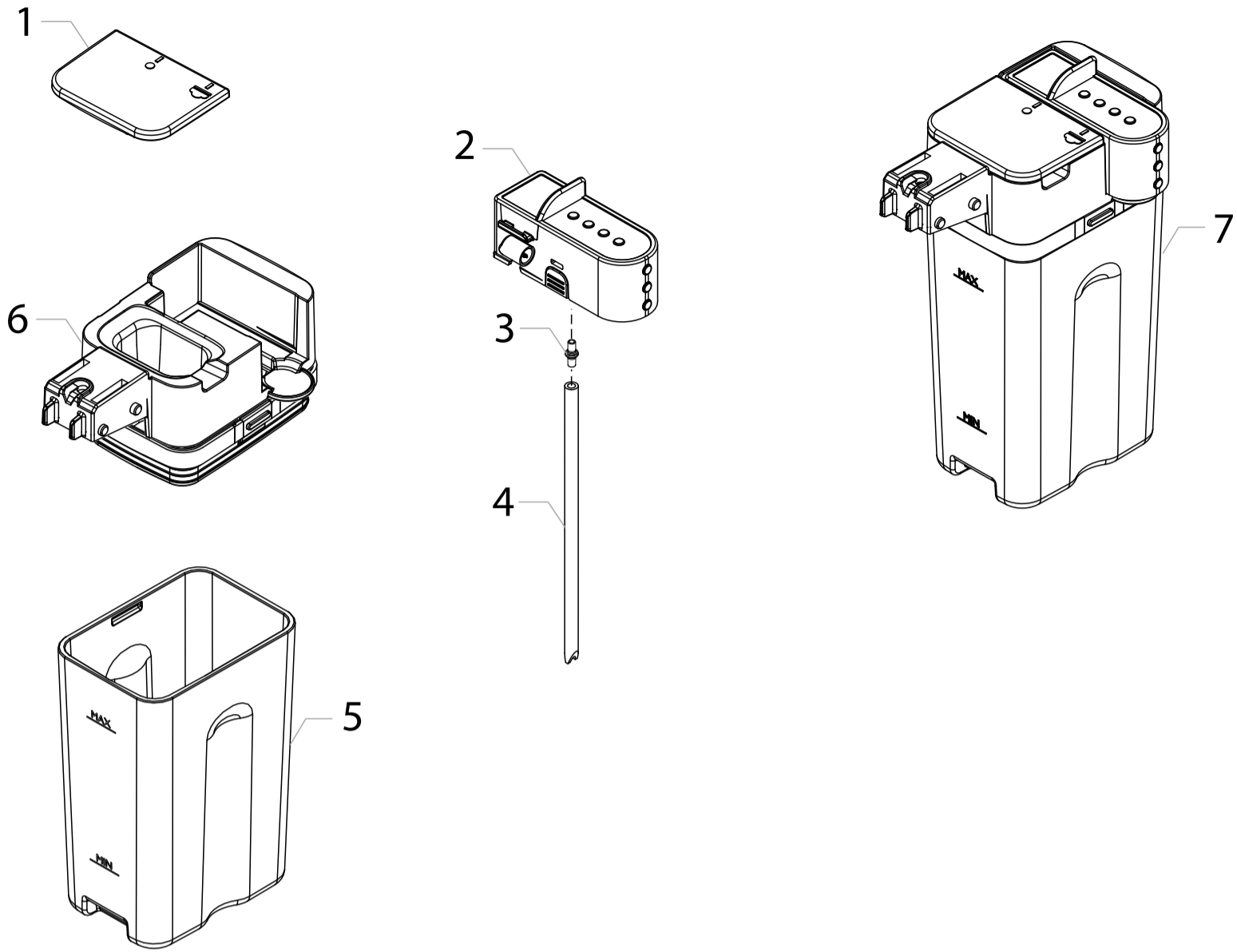
Cod. 882886906660-882886909300
Cod. 882886911010-882886947540
Cod. 882888619870

POS	CODE	12NC	DESCRIPTION	NOTE	POS	CODE	12NC	DESCRIPTION	NOTE
01	-	421944011373	TEAZAMA GRIND.INCREASE SCREW V4 HGO ASS		V				
02	129574802	996530012928	SCREW TCB TORX 20 M4X30 ZN-B						
03	-	421941094152	BLK COF.GRINDER UPPER GRINDER SUPPORT V2						
04	140328960	996530013577	OR ORM 0530-15 NBR FDA						
05	146520100	996530016342	BAKED CLAY GRINDER 48X28						
06	-	421946000121	2P.CONN.COF.GRINDER MOTOR V2 NPR UL ASSY						
07	149198350	996530017952	BLK LOWER COFFEEGRINDER GRINDER SUPPORT						
08	123030300	996530011183	AXIAL BEARING EKKO 342.35252						
09	140360500	996530013597	FELT RING 45,4X39,4X4						
10	128310402	996530012341	GALV.WASHER UNI 8842 A4						
11	11026355	996530068049	BLK GROUND COFF.OUTLET CONVEYOR V4 ASSY.						
12	11030459	996530072511	GRY GROUND COFFEE CONT.LOWER SEAL SMART1						
13	226000300	996530029609	GEAR SX Z=38 FOR GRINDER MOTION ASSY.						
14	11000513	996530000317	MOTOR COFFEEGRINDER V3.1 ASSY.	230V					
		421941305001	MOTOR COFFEEGRINDER V3.1 ASSY.	120V					
15	149214800	996530018139	MC V3 MOD=1,25 WORM SCREW CENTRING CAP						
16	129661702	996530012992	SCREW TCB TORX 3,5X30 PLAST.ZN-B						
17	11002873	996530001389	INSULATOR BUSH FOR GRINDER MOTOR P124						
18	11000597	996530000376	STEEL COF.GRINDER SUPPORT SPRING P124						
19	-	421944001091	YLW BEAN COFFEE GRINDER INSERT HGO						
20	128381902	996530012375	STEEL FLAT WASHER DI=4,3 DE=14 SP=1,5						
21	149199050	996530017963	BLK SENSOR SUPPORT FOR COF.GRINDER MOTOR						
22	11000194	996530000115	BLACK COFFEEGRINDER MOTOR SUPPORT P124						
23	181540900	996530022784	ELECTR.BOARD WITH SENSOR HAL506 SF-K						
24	123030200	996530011182	RADIAL BEARING 61900.2RS1						
25	128381800	996530012374	STEEL CRINKLE WASHER 21,8X14X0,25						
26	142905450	996530015258	BLK UPPER BODY WITH COFFEE GROUND OUTLET						
27	-	421946000091	3P.CONN.MC SENSOR V2 NPR UL ASSY.						
28	11002613	996530001314	LOWER COFFEEGRINDER GEAR SUPPORT P124						
29	11002572	996530001308	COFFEEGRINDER REGULATION SPRING P124						
30	11003784	996530001907	COFFEE GRINDING ADJUSTMENT GEAR P0049						
31	17001921	996530072477	BLK WIRING FIX INSERT FOR GRINDER BOARD						
32	11002508	996530001296	UPPER COFFEEGRINDER GEAR SUPPORT P124						
33	129914002	996530013165	SCREW TCB TORX 10 3,5X16 PLAST.ZN-B						
	-	421941302932	GEN.MOTOR COF.GRINDER V2 HGO ASSY	230V					
		421941302941	GEN.MOTOR COF.GRINDER HGO ASSY.	120V					



MOLTIO OTC TOP

TABLE 4/7



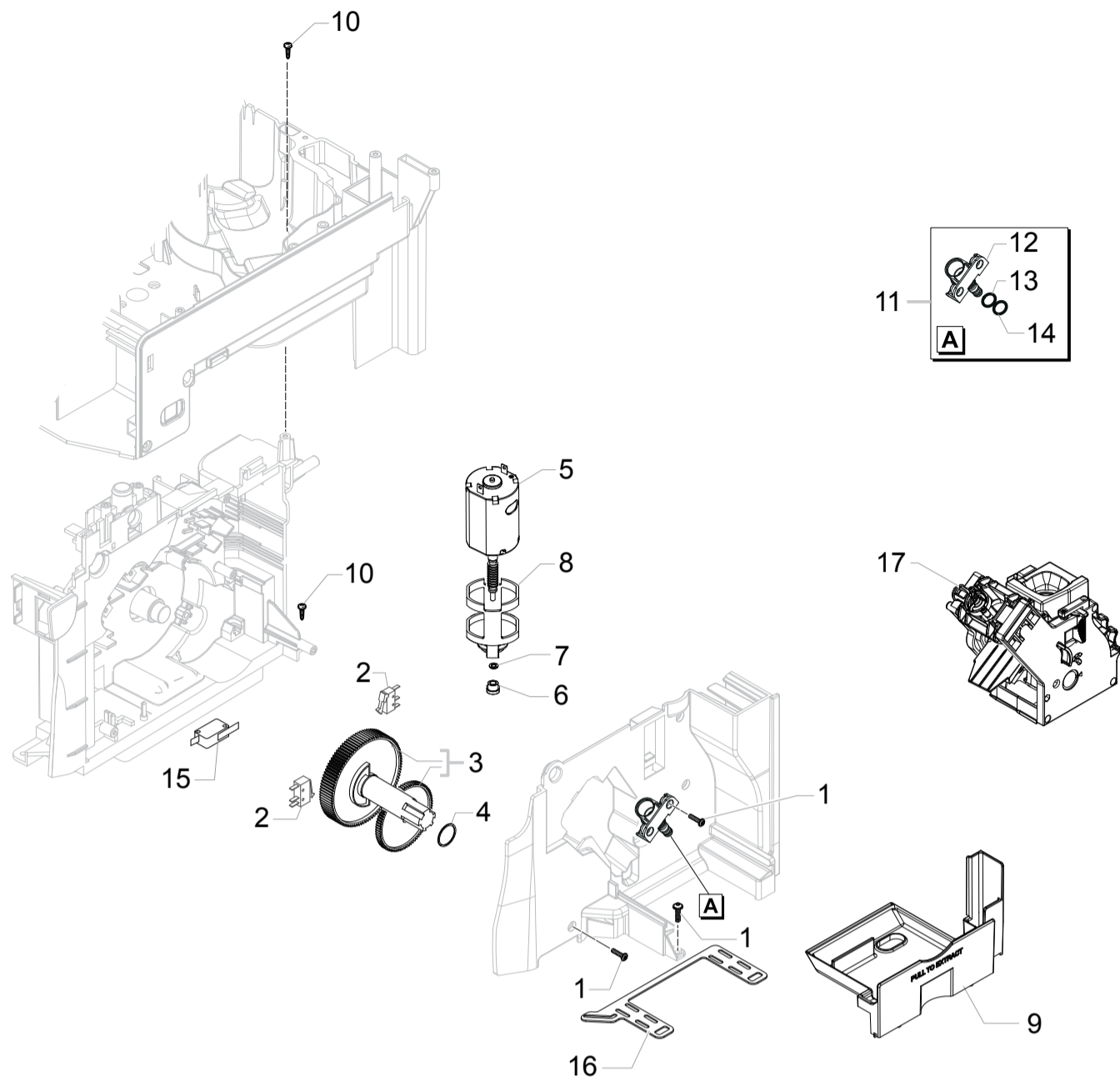
HD8869/06-09
HD8869/11-47
HD8886/19



Cod. 882886906660-882886909300
Cod. 882886911010-882886947540
Cod. 88288619870

POS	CODE	12NC	DESCRIPTION	NOTE	POS	CODE	12NC	DESCRIPTION	NOTE
01	17001963	996530073564	BLACK CARAFE COVER PLUG HGO/T						
02	-	421941307301	KIT SPARES BLK SERVO CARAF.CAP.COV.HGO/T						
03	17001362	996530068626	BLK MILK INTAKE TUBE CONNECT.INS.V2 RYL						
04	11012814	996530067584	SILICONE TUBE 3,5X6 L=140 MM						
05	-	421944032881	TRANSP.D/GREY PH-11514 CARAFE V2 HGO/T						
06	-	421941307311	KIT SPARES BLK UPP.COV.SERVO CAR.HGO/T						
07	-	421944029081	TRANSP/BLK GEN.CARAFE SLID.HGO/T ASSY.						



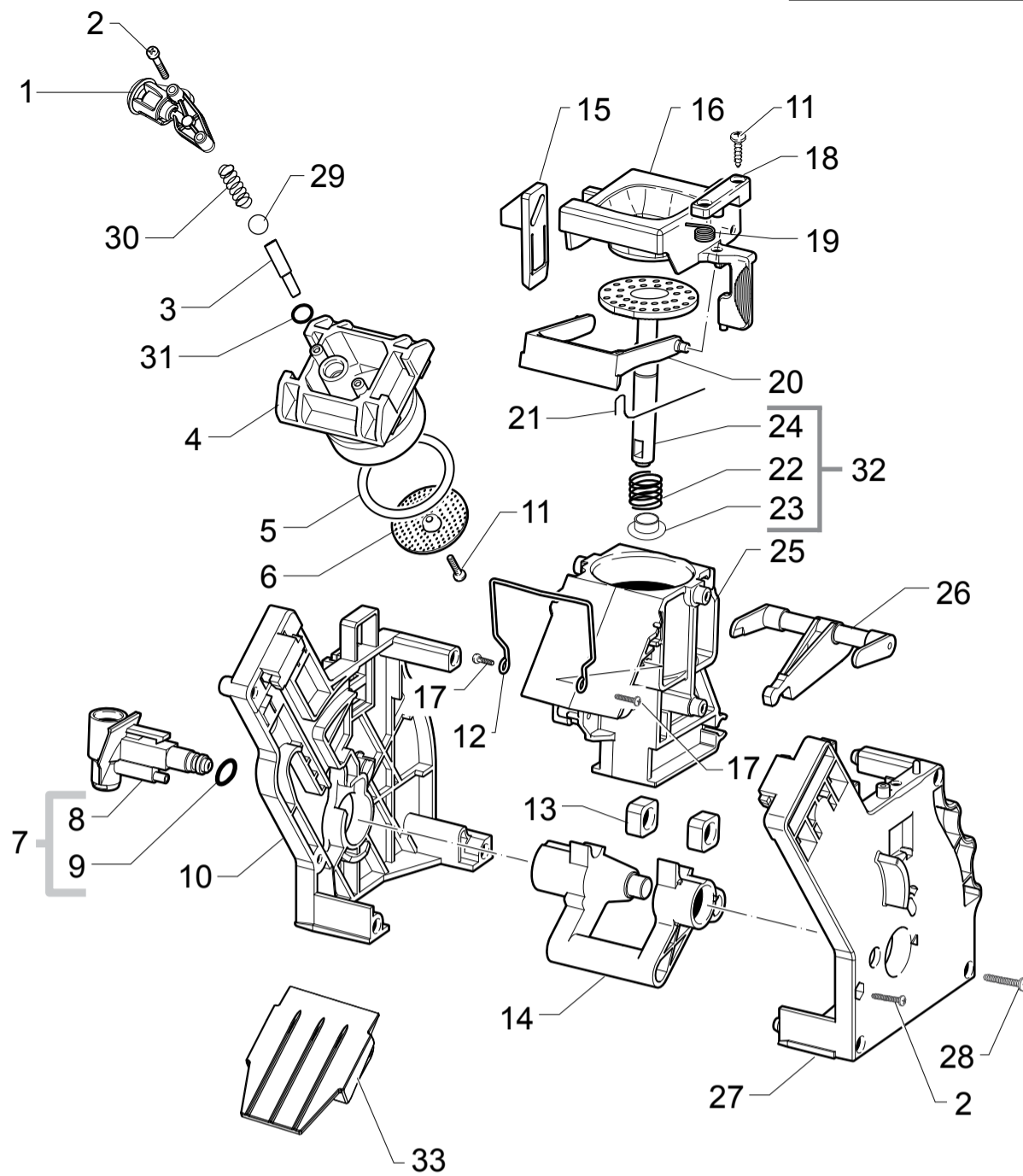


HD8869/06-09
HD8869/11-47
HD8886/19



Cod. 882886906660-882886909300
Cod. 882886911010-882886947540
Cod. 88288619870

POS	CODE	12NC	DESCRIPTION	NOTE	POS	CODE	12NC	DESCRIPTION	NOTE
01		421944016761	SCREW TCBR TORX 10 3,5X12 PLAST.ZN-NI						
02	12001841	996530073474	MICROSWITCH XC/SM1						
03	20000900	996530009913	SPARES KIT GEARS FOR RATIOMOTOR V2						
04	9161.132	996530050569	MYLAR WASHER FOR RATIOMOTOR						
05	11005214	996530002796	MOTOR FOR RATIOMOTOR P124 ASSY.						
06	9121.046	996530049898	BRONZE SINTERED BUSH FOR MOTOR RATIOMOT.						
07	148380200	996530017424	BAKELIZZATE WASHER D=5,5						
08	9121.044	996530049896	ANTIVIBRATION FOR MOTOR						
09	17001336	996530068732	GREY BREW UNIT DRAWER COFFEE NPR						
10	12000450	996530007819	SCREW TCBR TORX 10 3,5X12 PLAST.ZN-N						
11		421944060181	PIN FOR FLOW SEL.FAUCET V2 PPS P0057 AS						
12		421944059371	PIN FOR FLOW SELECT.FAUCET PPS V2 P0057						
13	NM01.035	996530059399	OR ORM 0090-20 SILICONE						
14	NM01.057	996530059419	OR ORM 0050-20 IN SILICONE						
15	12001890	996530073209	MICROSWITCH XG/V3D						
16	17000685	996530072515	BLACK SEAL FOR RATIOMOTOR PLATE NPR						
17		421944053951	BLK/YLW BREW UNIT 8GR.5BAR V4 HGO						



HD8869/06-09
HD8869/11-47
HD8886/19



Cod. 882886906660-882886909300
Cod. 882886911010-882886947540
Cod. 882888619870

POS	CODE	12NC	DESCRIPTION	NOTE	POS	CODE	12NC	DESCRIPTION	NOTE
01	11009362	996530005415	BLK COF.OUTLET SLEEVE BREW UNIT S0053 AS						
02	12000550	996530007838	SCREW TCB TORX 10 3X25 PLAST.SS						
03	11009276	996530005372	BLK COUNTER PISTON TUBE BREW UNIT S0053						
04	11001840	996530001046	BLACK COUNTER PISTON BREW UNIT 8GR.P124						
05	NM01.044	996530059406	OR ORM 0320-40 SILICONE PTFE/FDA						
06	9161.268	996530050709	PERCOLATOR DE=35,8 ELFO						
07	20000440	996530009825	BLACK WATER INLET SLEEVE BREW UNIT ASSY.						
08	9161.064.050	996530050488	BLACK WATER INLET SLEEVE BREW UNIT ROYAL						
09	NM02.007	996530059441	OR 2025 IN TERMOIL						
10	9161.375.050	996530050832	BLACK BREW UNIT REAR PLATE SMART						
11	12000895	996530007951	SCREW TSP TORX 10 3X10 PLAST.SS						
12	11001556	996530000898	SS BREW UNIT SPRING H=49 SMART						
13	9161.094.050	996530050539	BLACK BREW UNIT DRILLED BLOCK						
14		421944051231	YLW BREW UNIT ELBOW SHAFT M5000						
15		421944046931	YLW BREW UNIT COUPLING PLATE V2 SMART						
16	149261350	996530018241	BLACK HOPPER DOSER BREW UNIT SMART1						
17	129912521	996530013148	SCREW TCB TORX 10 3,5X14 PLAST.SS						
18		421944050711	YLW BREWUNIT HOPPER BLOCKING PLATE SMART						
19	9161.378	996530050838	SS HOPPER SPRING FOR BREW UNIT SMART						
20	11004161	996530002096	BLACK SCRAPER FOR BREW UNIT M5000						
21	9161.046	996530050455	SS SCRAPER SPRING FOR BREW UNIT						
22	9161.198	996530050627	SS.8GR.BREW UNIT PISTON SPRING						
23	9161.191	996530050618	WHITE 8GR.-12GR.BREW UNIT PISTON BUSH						
24	-	421944025621	BLK BREW UNIT INTEGR.PISTON 8GR.V3 ASSY.						
25		421944014611	BLK COF.CONTAIN.BREW UNIT V2 M5000 ASSY.						
26	11003078	996530001452	BLACK CONNECTING ROD BREW UNIT 8GR.						
27	11005920	996530003228	BLACK BREW UNIT FRONT PLATE S/SCR.SMART						
28	12000897	996530007953	SCREW TCB TORX 10 3,5X20 PLAST.SS						
29	-	421944034451	BOROSILICATE SPHERE D.5 MM						
30	11012095	996530006305	SS COFFEE UNIT CONTERPISTON SPRING S0053						
31	140328761	996530013575	OR ORM 0060-15 TERMOIL						
32		421944029791	BLK BREW UNIT 8GR.INT.PISTON GEN.V3 ASSY						
33	17000663	996530073322	BLACK BREW UNIT CONVEYOR SLIDE L=76,8						
		421944053951	BLK/YLW BREW UNIT 8GR.5BAR V4 HGO						



MOLTIO OTC TOP

TABLE 7/7